

FOUR-POST LIFTS

SM40/65

SM40LT/SM55LT



SM40/65

THE ELECTRO-HYDRAULIC FOUR-POST LIFTS OF ROTARY LIFT ARE AVAILABLE IN NUMEROUS VERSIONS AND CAN BE TAILORED PERFECTLY TO FIT THE APPLICATION ENVIRONMENT. ESPECIALLY FOR PRECISE AXLE MEASURING WORK IS A WHEEL ALIGNMENT KIT (AK) WITH SHIFTING PLATES FOR DISPOSAL. THUS, THE LIFT UP OF VERY SMALL (EG, SMART) AND EXTRA LONG VEHICLES (EG CRAFTER LONG) UP TO A WHEELBASE OF 4,90 M IS POSSIBLE.

The cold-formed drive surface profile with integrated slide rails increases the rigidity – not only when using jacking beams.

All Rotary four-post lifts are equipped with a pneumatically lockable drop-off facility. This guarantees exact axle measuring and a high degree of safety at the workplace.



SM65-51 with optional wheel alignment kit

The functions lifting, lowering and lowering to the drop-off facility can be controlled conveniently via the operating controls.

DETAILS

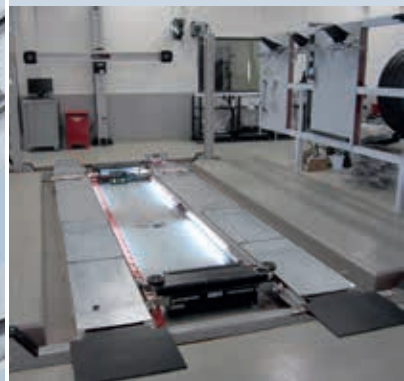
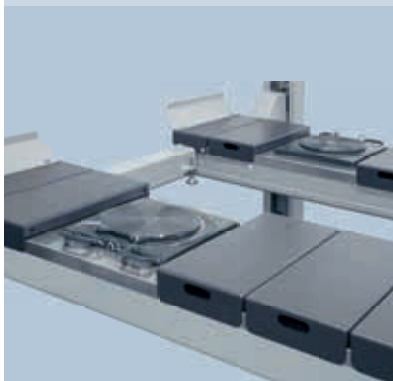
Adjustable ratchet laths in the lifting columns provide for absolutely horizontal alignment of the lift – this is important for precise work when using the lift as axle measuring lift.

The modular construction facilitates almost unlimited possibilities of expanding and upgrading the lift, e.g. with the measuring kit for the axle measuring lift. (Turning plates are supplied by wheel alignment manufacturers).

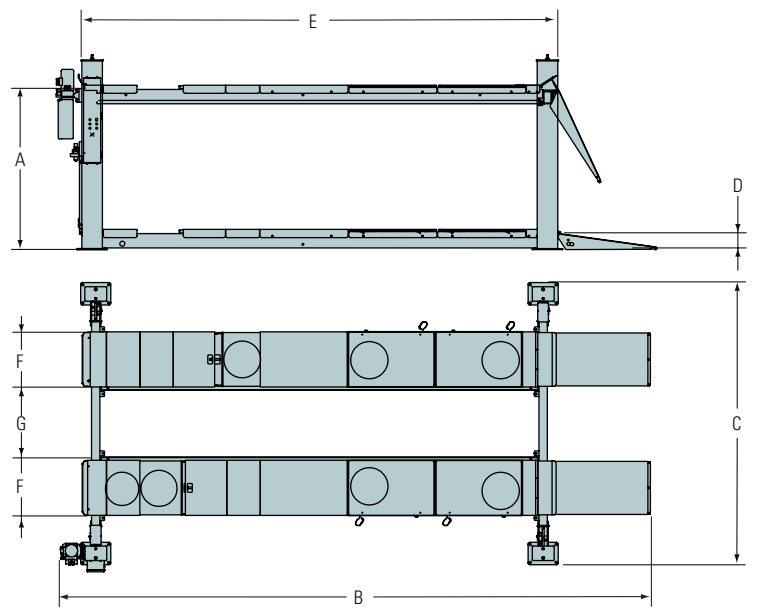
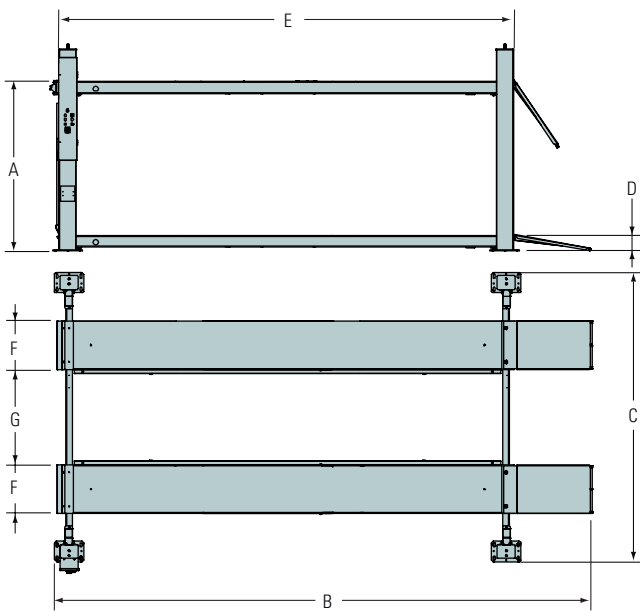
The maintenance-free lifting cylinder is mounted below the drive surface and thus protected against external forces.

OPTION

Inground kit optional (4 short ramps)



Model	SM40-47	SM65-51	SM65-55
Capacity	4000 kg	6500 kg	6500 kg
A. Stroke (with AK)	1943 mm (+50 mm)	1900 mm (+50 mm)	1900 mm (+50 mm)
B. Overall length	5788 mm	5365 mm	5765 mm
C. Overall width	3320 mm	3405 mm	3405 mm
D. Ascending height (with AK)	175 mm (+50 mm)	190 mm (+50 mm)	190 mm (+50 mm)
E. Platform length	4700 mm	5100 mm	5500 mm
F. Platform width	560 mm	650 mm	650 mm
G. Platform spacing	800/950/1100 mm	900 mm	900 mm
Wheelbases wheel alignment min.	-	1535 mm	1535 mm
Wheelbases wheel alignment max.	-	4600 mm	4900 mm
Wheelbases 3D wheel alignment max.	-	4600 mm	4600 mm
Motor performance	4 kW	4 kW	4 kW
Electrical connection (3 phases)	400 V, 50 Hz	400 V, 50 Hz	400 V, 50 Hz
Compressed air connection	8 -10 bar	8 -10 bar	8 -10 bar
Lifting time	45 sec.	40 sec.	40 sec.



ACCESSORIES SM40

Alignment kit incl. 2 balance plates for SM40



Jacking beam for SM40, capacity 2600 kg, Model RJ-X26-2



ACCESSORIES SM65

Alignment kit (AK) incl. 4 balance plates (1050 mm) for SM65

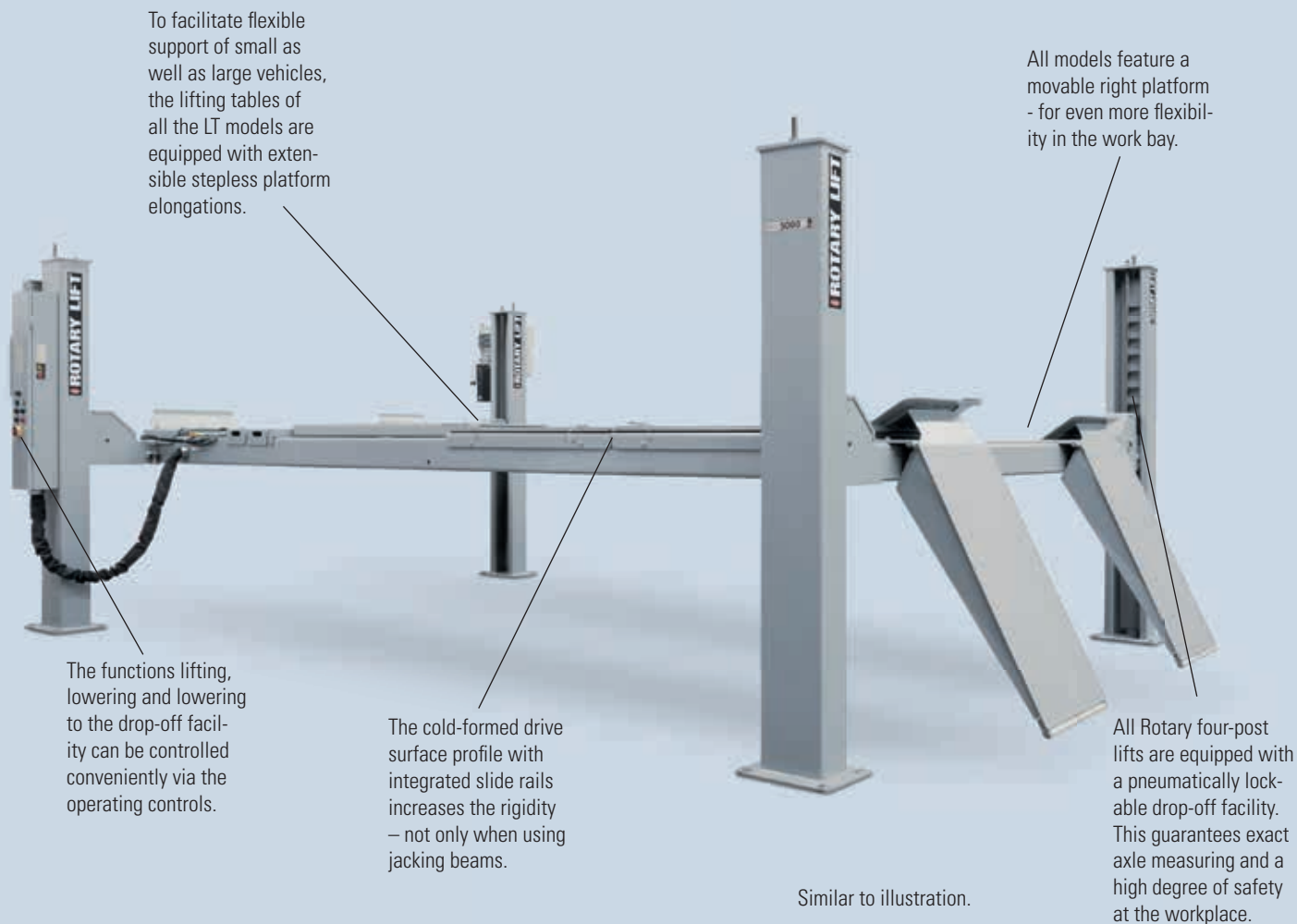


Jacking beam for SM65, capacity 4000 kg, Model RJ-X40-2



SM40LT/SM55LT

THE ELECTRO-HYDRAULIC FOUR-POST LIFTS OF THE SM SERIES ARE AVAILABLE IN NUMEROUS VERSIONS AND CAN BE TAILORED PERFECTLY TO FIT THE APPLICATION ENVIRONMENT. THE LT MODELS WITH OPTIONAL WHEEL-ALIGNMENT KIT ARE AVAILABLE FOR PRECISE AXLE MEASURING WORK.



DETAILS

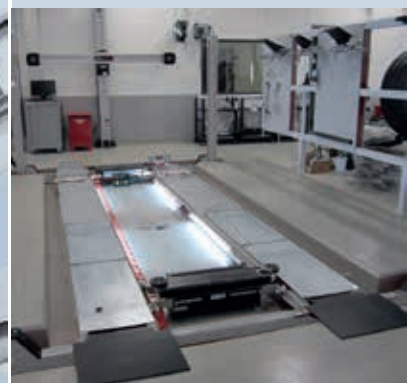
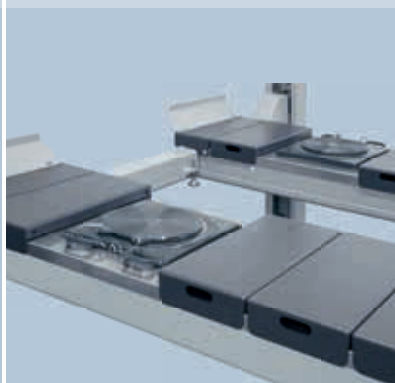
Adjustable ratchet laths in the lifting columns provide for absolutely horizontal alignment of the lift – this is important for precise work when using the lift as axle measuring lift.

The modular construction facilitates almost unlimited possibilities of expanding and upgrading the lift, e.g. with the measuring kit for the axle measuring lift.

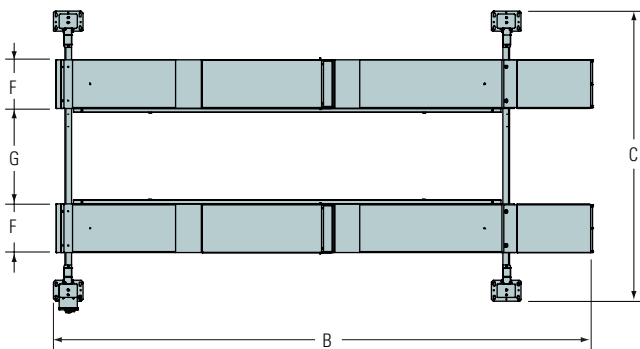
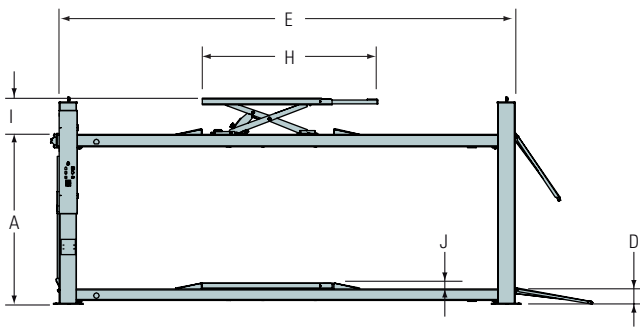
The maintenance-free lifting cylinder is mounted below the drive surface and thus protected against external forces.

OPTION

Inground kit optional (4 short ramps)



Model	SM40LT-47	SM55LT-51
Capacity	4000/3000 kg	5500/3500 kg
A. Stroke (with AK)	1943 mm (+ 66 mm)	1750 mm (+ 50 mm)
B. Overall length	5788 mm	5364 mm
C. Overall width	3320 mm	3409 mm
D. Ascending height (with AK)	175 mm (+ 66 mm)	190 mm (+ 50 mm)
E. Platform length	4700 mm	5100 mm
F. Platform width	560 mm	650 mm
G. Platform spacing	800/950/1100 mm	900 mm
H. Platform length jacking beam	1490-2000 mm	1400-2100 mm
I. Stroke jacking beam	456 mm	429 mm
J. Ascending height jacking beam	66 mm	75 mm
K. Motor performance	4 kW	4 kW
Electrical connection (3 phases)	400 V, 50 Hz	400 V, 50 Hz
Compressed air connection	8-10 bar	8-10 bar
Lifting time	45 sec.	40 sec.
Lifting time jacking beam	10 sec.	10 sec.



ACCESSORIES SM40LT

Alignment kit incl. 2 balance plates for SM40LT



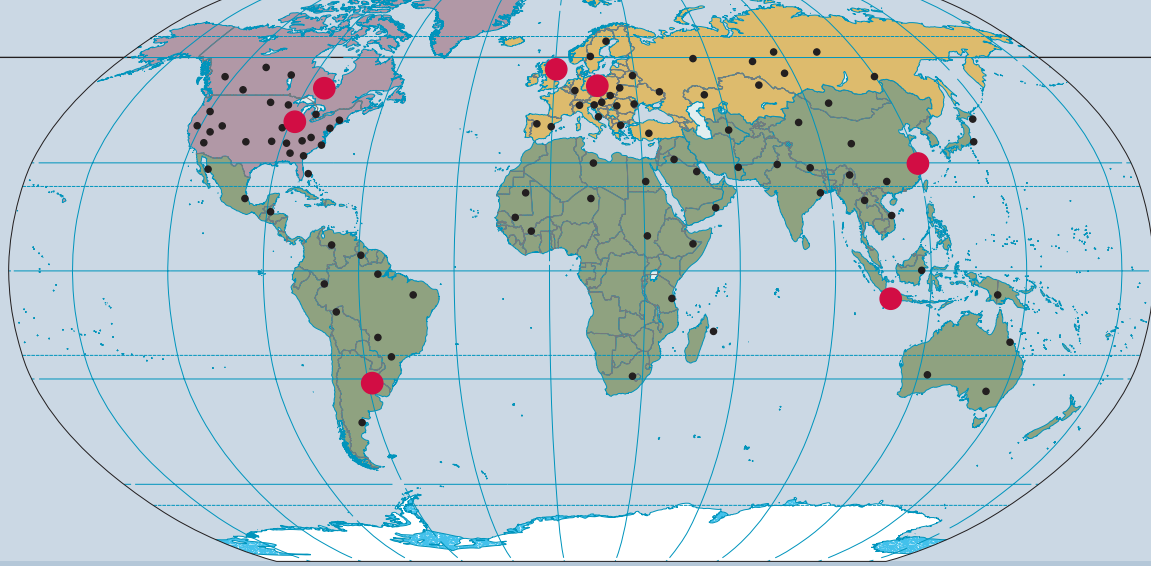
Jacking beam for SM40LT, capacity 2600 kg, Model RJ-X26-2



ACCESSORIES SM55LT

Alignment kit incl. 4 balance plates (1050 mm) for SM55LT





LOOK LOCAL - ACT GLOBAL

WE ACT WITH FOCUS ON OUR CUSTOMERS AND THEIR REQUIREMENTS. LOCAL SUBSIDIARIES WORLDWIDE PERMIT US TO DO SO, AND AT THE SAME TIME, OFFER A HIGH DEGREE OF PRODUCT FLEXIBILITY.

Rotary Lift's story of success started in 1924. Inspired by a barber chair rising in the air, company founder Peter Lunati developed the world's first vehicle lift. The lift could rotate. This design made it possible for vehicles to drive on and off the lift in forward gear. An important argument considering the frequent problem of reversing at that time. The patent for the lift was granted on September 1, 1925 and Rotary Lift – the company – was born.

Over 75 years later, Rotary Lift has grown to become the world leader in vehicle lift productivity. Apart from the headquarters in Madison, Indiana (USA) and the European Control Center in Bräunlingen, Germany, numerous global subsidiaries attend to the desires and requirements of our customers.

With this unique network, Rotary Lift has the opportunity of analyzing and recognizing market trends at an early stage and of applying that knowledge to generate global standards. Worldwide product releases of numerous vehicle manufacturers emphasize this approach.



Headquarter
Madison, IN USA

European Control Center
Bräunlingen, Germany

Rotatable
One of the first lifts of Rotary Lift



BlitzRotary GmbH
Hüfanger Straße 55
D-78199 Bräunlingen
A **DOVER** COMPANY

Fon +49.771.9233.0
Fax +49.771.9233.99
info@blitzrotary.com
www.blitzrotary.com

USA: +1.812.273.1622 (Headquarter)
Canada: +1.905.812.9920
United Kingdom: +44.178.747.7711
AustralAsia: +60.3.7660.0285

Latin America/Caribbean: +1.812.273.1622
Middle East/Northern Africa: +49.771.9233.0
Southern Africa: 1.812.273.1622
Brazil: +55.11.4534.1995

